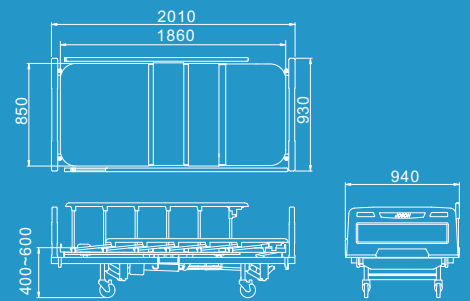


# ES-08FDS & MS-08FS

## Home-Care Electric & Manual Hospital Bed



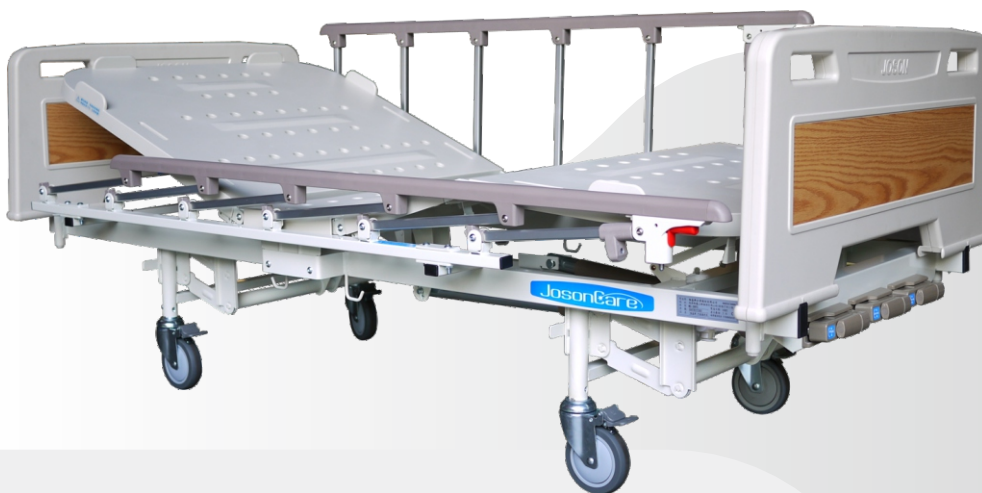
-  Head Elevation from 0 ~ 80°
-  Knee Elevation from 0 ~ 40°
-  The Function of Auto-chair
-  The Height of Bed is from 400mm ~600mm



Hand pendant control



The Transmission : 3 High-quality low Voltage DC motors  
 The Bed Control: Hand pendant control  
 Standard Assembly: 5" Lockable Castors



The Transmission : 3 High-quality crank-manual bed  
 The Bed Control: Storage adjustable crank  
 Standard Assembly: 5" Lockable Castors

### Dimensions:

Overall Bed Length	2010mm
Overall Bed Width	930mm
Overall Mattress Base Length	1860mm
Overall Mattress Base Width	850mm
Overall Bed Height Adjustment	400~600mm

### Angles:

Back rest	0~80°
knee gatch	0~40°
Auto-chair	Y

### Features:

Safe working load	170kg
Castor diameter	5"
I.V. pole holes	Y
Hand pendant control	Y *ES-08FDS
Drainage bag hanger	Y
Restraint belts holes	Y
Head and foot broad collapsible	Y
Mattress stoppers	Y(4 or 6)
Back-up battery	Y *ES-08FDS
Motor standard	IP54(optional IP66) *ES-08FDS